

Vehicle tracking.

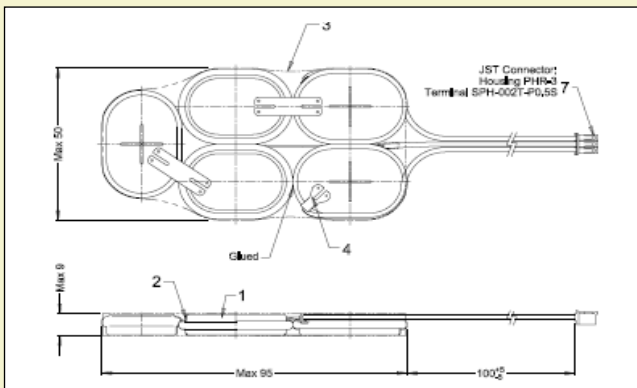
The introduction of new legislation relating to the fitment of tracking systems on all new vehicles from 2009 in Brazil, will require significant design modification to vehicles and manufacturers. Car theft and vehicle tracking requirements in Brazil and changes to insurance requirements in Belgium, Holland, Sweden, India and North America indicate the trend for extended demand in vehicles tracking

Battery challenge.

The combination of GPS and GSM system and the need to have sensor data from various positions inside the car requires an independent and powerful battery that is able to reliably work in the harsh automotive environment over the extended temperature range. Battery must be robust and rechargeable to withstand car crash and be steadily available at any time.

Technical solution

The V500HT cell out of the powerful85 family of Ni-MH button cells from VARTA Microbattery is specially designed for high discharge currents and extended temperature.



Characteristics	5/V500HT Battery
Voltage level	6.0V (other voltages possible)
Max peak discharge current	3A
Capacity	500mAh
Discharge Temperature range	-20C to +85C
Overcharge capability	0.03CA continuous
Weight	70g

Car Tracking Battery

VARTA Microbattery's Ni-MH HRT batteries (powerful85 family) offer rechargeable battery solutions with reliable power for supplying GPS and GSM Module in case of theft of car for tracking and locationing of vehicle. Recommended configurations: 4/V500HT, 5/V500HT or 6/V500HT depending on temperature and power demand.

- wide temperature range from -20 to +85C
- long lifetime – up to 10 years
- high reliability – by special sealing construction with new plastic materials
- high current capability with stacked electrodes
- design flexibility on voltage level from 1.2V to 12V
- design flexibility on battery shape side-by-side or stacked
- simple charging system continuous charging possible
- UL recognized cell
- environmentally friendly Ni-MH technology

Vehicle Tracking

VARTA Microbattery GmbH
Daimlerstraße 1
73479 Ellwangen/Germany
Tel +49 79 61 921-280

www.varta-microbattery.com